

## Model

ORB — M —    —    —    —   

Series sign — Motor capacity (cm<sup>3</sup>/rev) (See the specification table)

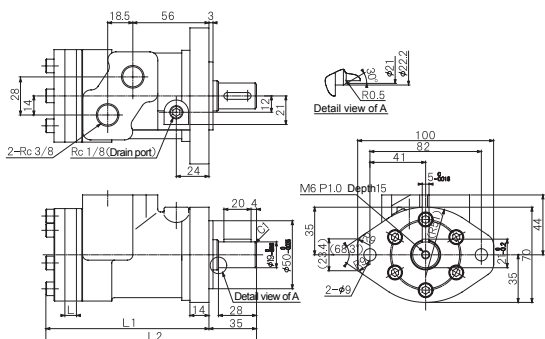
Mounting geometry  
2 : 2 Bolt flange (standard)  
4 : 4 Bolt flange

Connection port shape  
P: Rc3/8 (standard)  
F: O ring port



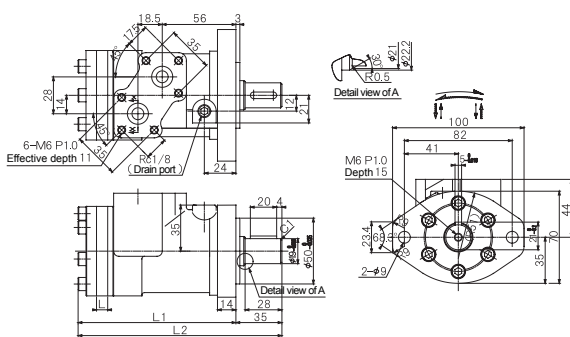
## Dimensional diagrams (mm)

### ■ Bolt flange



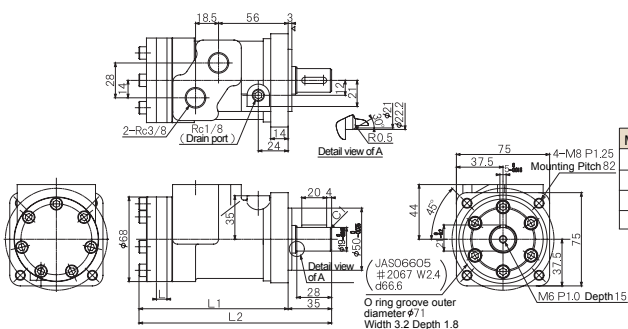
Model number	L	L1	L2
ORB-M-18	8.5	120.0	155.0
ORB-M-26	12.6	124.1	159.1
ORB-M-35	16.9	128.4	163.4
ORB-M-44	21.1	132.6	167.6

### ■ 2 Bolt flange, O ring port



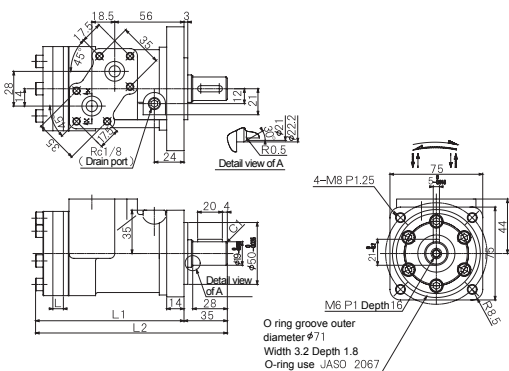
Model number	L	L1	L2
ORB-M-18	8.5	120.0	155.0
ORB-M-26	12.6	124.1	159.1
ORB-M-35	16.9	128.4	163.4
ORB-M-44	21.1	132.6	167.6

### ■ 4 Bolt flange



Model number	L	L1	L2
ORB-M-18	8.5	120.0	155.0
ORB-M-26	12.6	124.1	159.1
ORB-M-35	16.9	128.4	163.4
ORB-M-44	21.1	132.6	167.6

### ■ 4 Bolt flange, O ring port



Model number	L	L1	L2
ORB-M-18	8.5	120.0	155.0
ORB-M-26	12.6	124.1	159.1
ORB-M-35	16.9	128.4	163.4
ORB-M-44	21.1	132.6	167.6

## Motor Specifications

Model	ORB-M-18	ORB-M-26	ORB-M-35	ORB-M-44	
Theoretical displacement	cm <sup>3</sup> /rev	17.9	26.6	35.6	44.5
Maximum stream flow	L/min	20	30	30	30
Maximum speed	min-1	1099	1104	823	655
Rating output torque	N · m	22.7	34.1	45.2	56.5
Rating pressure	ΔP MPa	10.5	10.5	10.5	10.5
maximum pressure	ΔP MPa	14.0	14.0	14.0	14.0
maximum pressure	MPa	7.0	7.0	7.0	7.0
Outline mass	kg	3.3	3.4	3.5	3.6

1. Please use the driving by the best pressure and the best output torque within six seconds.
2. Please use clean oil equivalent to ISO VG32.
3. Pressure less than 15Mpa, please.
4. The permission back pressure becomes 7.0Mpa. In addition, the drain plumbing is necessary when it is more than 1.8Mpa.