

## Feature

1ME-S is a compact unit consisting of the 1A pump and a dedicated motor. The motor is single phase 100V. There is no ultrahigh temp. version (VH) of this pump for temperatures higher than 120°C.

The set pressure of the relief valve is usually 0.3MPa.



## Model

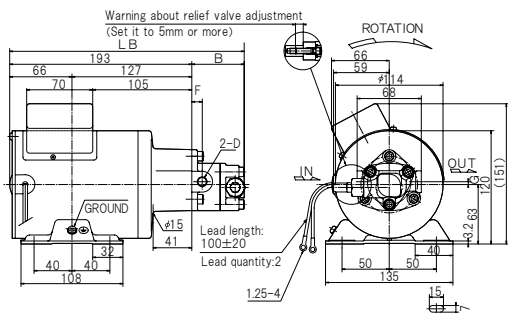
|                                    |                            |   |   |                                     |
|------------------------------------|----------------------------|---|---|-------------------------------------|
| Motor output                       | Model No.                  | Applications  | Seal material   | Relief valve                        |
| FTP-1ME <input type="checkbox"/> S | <input type="checkbox"/> A | <input type="checkbox"/> M                            | <input type="checkbox"/> -  | <input type="checkbox"/>            |
| 75<br>200                          | 10<br>11<br>12<br>13       | No mark: Standard<br>WO: Bunker oil,<br>Coolant water | No mark: Standard<br>(-5~80°C)<br>VF: Viton (R) for<br>high temp. (120°C) | No mark: No valve<br>VB: With valve |

Model examples: FTP-1ME75S-10AMVF (75W, single-phase, high temp. spec)  
FTP-1ME200S-13AM-VB (200W, single-phase, with relief valve)

※ Special versions are described on the following pages.

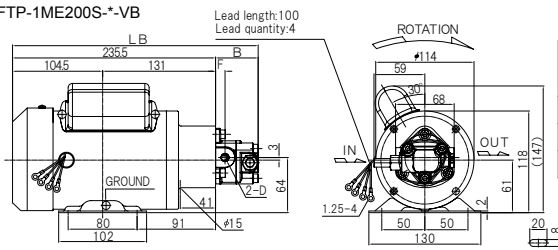
## Dimensional diagrams (mm)

### ■ FTP-1ME75S-\*-VB



| Model   | LB    | B    | D     | F  |
|---------|-------|------|-------|----|
| 10AM-VB | 242.5 | 49.5 | Rc1/8 | 11 |
| 11AM-VB | 242.5 | 49.5 | Rc1/8 |    |
| 12AM-VB | 248.5 | 55.5 | Rc1/4 |    |

### ■ FTP-1ME200S-\*-VB



| Model   | LB    | B    | D     | F  |
|---------|-------|------|-------|----|
| 10AM-VB | 281.5 | 49.5 | Rc1/8 | 11 |
| 11AM-VB | 281.5 | 49.5 | Rc1/8 |    |
| 12AM-VB | 287.5 | 55.5 | Rc1/4 |    |
| 13AM-VB | 302.5 | 70.5 | Rc3/8 | 14 |

## Spec

| Model    | No. of motor revolutions 50Hz 1500min-1 |   |      |                               | No. of motor revolutions 60Hz 1800min-1       |      |  |
|----------|---|---|------|-------------------------------|---|------|--|
|          | Theoretical flow rate (L/min)           | Max. discharge pressure to motor output (MPa) |      | Theoretical flow rate (L/min) | Max. discharge pressure to motor output (MPa) |      |  |
|          |   | 75W   | 200W |                               | 75W   | 200W |  |
| 10A (VB) | 1.2                                     | 0.5   | 0.5  | 1.4                           | 0.5   | 0.5  |  |
| 11A (VB) | 2.2                                     | 0.5   | 0.5  | 2.7                           | 0.4   | 0.5  |  |
| 12A (VB) | 3.7                                     | 0.3   | 0.5  | 4.5                           | 0.2   | 0.5  |  |
| 13A (VB) | 6.7                                     | —   | 0.5  | 8.1                           | —   | 0.5  |  |

● The above max. discharge pressure are in combination with ISO-VG46 at 40°C.  
The rates vary depending on viscosity and temperature.

## Motor spec

| Power (W) | Pole (P) | Rating     | Voltage (V) | Frequency (Hz) | Revolutions (min <sup>-1</sup> ) | Current (A) | Approx. weight (kg) |
|-----------|----------|------------|-------------|----------------|----------------------------------|-------------|---------------------|
| 75        | 4        | Continuous | 100         | 50/60          | 1430/1730                        | 2.0/1.6     | 5.9                 |
| 200       | 4        | Continuous | 100         | 50/60          | 1430/1720                        | 5.8/5.0     | 10                  |

● Single-phase induction motor ● Insulation class E ● IP22