

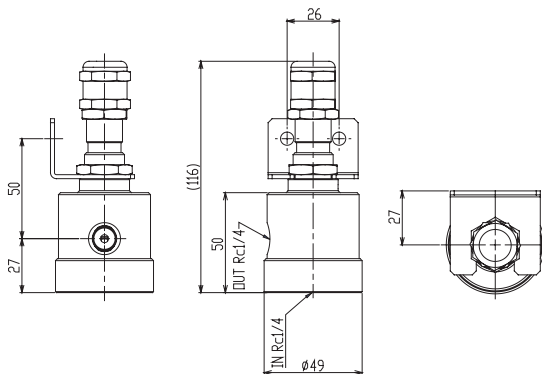
Feature

This safety valve is compatible with such strong acid or alkali, It consists of special rubber nonmetal such as PTFE - PEEK - the wetted parts.

Because it does not produce the metal ions, can also be used in highly corrosive liquid and semiconductor sectors.



Dimensional diagrams (mm)



Specification

Greatest pressure	2MPa
Maximum flow	120ml/min.
Wetted parts	PTFE Ceramics Rubber
Exterior	Stainless

Also supports other than those specified above.

Performance curve

