

Feature

This valve is for the protection of a pump and a motor. There are 2 types of the valve, namely the internal-return type (VB) and the external-return type (VD).



Model

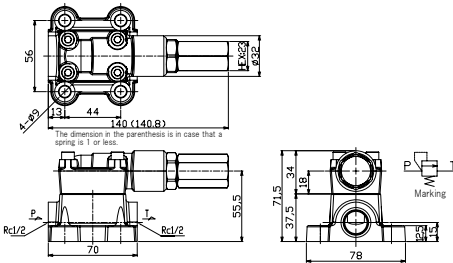
FTP— Model No.
 2VB (2 internal-return)
 2VD (2 external-return)
 3VB (3 internal-return)

Installation

 No mark: Installed in pump
 D: Installed in plumbing

Dimensional diagrams (mm)

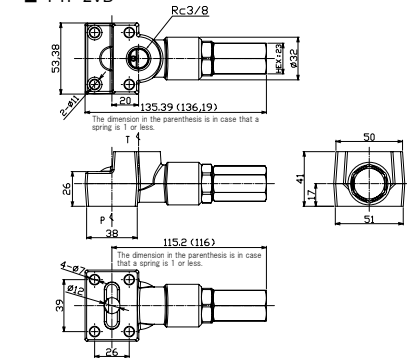
■ FTP-2VBD



■ Dimension table

Item	Spring No.					
	0L	1L	2L	3L	4L	NR2
Wire ϕ diameter (mm)	1.4	1.7	1.8	2.2	2.9	2.9
Outer ϕ diameter (mm)	13	13	13	13	13	13
Number of active coils	12.0	13.0	13.5	12.0	13.0	13.0
Natural length (mm)	54.5	54.0	60.5	57.5	54.5	57
Standard set pressure	0.1		0.5	1.0	2.0	
Adjustable range of pressure Cracking pressure (MPa)	0.04	0.08	0.26	0.51	1.20	2.00
	~ 0.08	~ 0.25	~ 0.50	~ 1.19	~ 2.50	~ 2.80
Use of parts	O-ring P-10A	No	No	Yes	Yes	Yes
	Packing	Yes	Yes	No	No	No

■ FTP-2VD

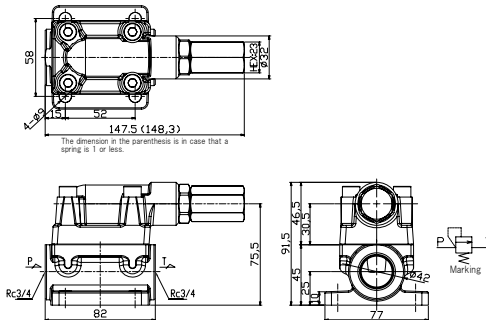


■ Dimension table

Item	Spring No.					
	(0L)	1L	2L	3L	4L	(NR2)
Wire ϕ diameter (mm)	1.4	1.7	1.8	2.2	2.9	2.9
Outer ϕ diameter (mm)	13	13	13	13	13	13
Number of active coils	12.0	13.0	13.5	12.0	13.0	13.0
Natural length (mm)	54.5	54.0	60.5	57.5	54.5	57
Standard set pressure	0.1		0.5	1.0	2.0	
Adjustable range of pressure Cracking pressure (MPa)	0.04	0.08	0.26	0.51	1.20	2.00
	~ 0.08	~ 0.25	~ 0.50	~ 1.19	~ 2.50	~ 2.80
Use of parts	O-ring P-10A	No	No	Yes	Yes	Yes
	Packing	Yes	Yes	No	No	No

※ (0L) and (NR2) are special versions.

■ FTP-3VBD



■ Dimension table

Item	Spring No.					
	1L	2L	3L	4L	5L	6L
Wire ϕ diameter (mm)	1.8	2.0	2.6	2.5	3.0	3.2
Outer ϕ diameter (mm)	14	14	14	14	14	14
Number of active coils	7	7	12	10	9	9
Natural length (mm)	52	52	55	60	54	51
Standard set pressure	0.1		0.5	0.7	1.5	2.0
Adjustable range of pressure Cracking pressure (MPa)	0.08	0.26	0.56	1.31	1.71	2.50
	~ 0.25	~ 0.55	~ 1.30	~ 1.70	~ 2.49	~ 3.00
Use of parts	O-ring P-10A	No	No	Yes	Yes	Yes
	Packing	Yes	Yes	No	No	No