

## Feature

1ME-S is a compact unit consisting of the 1A pump and a dedicated motor. The motor is single phase 100V. There is no ultrahigh temp. version (VH) of this pump for temperatures higher than 120°C.

The set pressure of the relief valve is usually 0.3MPa.



## Model

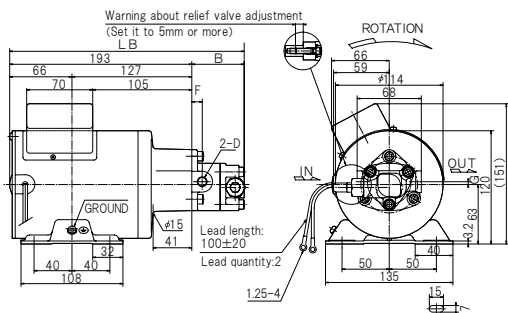
Motor output	Model No.	Applications	Seal material	Relief valve
FTP-1ME <input type="checkbox"/> S	<input type="checkbox"/> A	<input type="checkbox"/> M	<input type="checkbox"/> -	<input type="checkbox"/>
75 200	10 11 12 13	No mark: Standard WO: Bunker oil, Coolant water	No mark: Standard (-5~80°C) VF: Viton (R) for high temp. (120°C)	No mark: No valve VB: With valve

Model examples: FTP-1ME75S-10AMVF (75W, single-phase, high temp. spec)  
FTP-1ME200S-13AM-VB (200W, single-phase, with relief valve)

※ Special versions are described on the following pages.

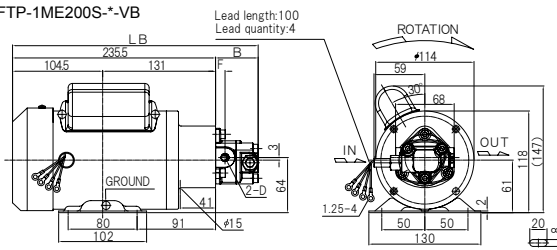
## Dimensional diagrams (mm)

### ■ FTP-1ME75S-\*-VB



Model	LB	B	D	F
10AM-VB	242.5	49.5	Rc1/8	11
11AM-VB	242.5	49.5	Rc1/8	
12AM-VB	248.5	55.5	Rc1/4	

### ■ FTP-1ME200S-\*-VB



Model	LB	B	D	F
10AM-VB	281.5	49.5	Rc1/8	11
11AM-VB	281.5	49.5	Rc1/8	
12AM-VB	287.5	55.5	Rc1/4	
13AM-VB	302.5	70.5	Rc3/8	14

## Spec

Model	No. of motor revolutions 50Hz 1500min-1				No. of motor revolutions 60Hz 1800min-1			
	Theoretical flow rate (L/min)	Max. discharge pressure to motor output (MPa)		Theoretical flow rate (L/min)	Max. discharge pressure to motor output (MPa)			
		75W	200W		75W	200W		
10A (VB)	1.2	0.5	0.5	1.4	0.5	0.5		
11A (VB)	2.2	0.5	0.5	2.7	0.4	0.5		
12A (VB)	3.7	0.3	0.5	4.5	0.2	0.5		
13A (VB)	6.7	—	0.5	8.1	—	0.5		

- The above max. discharge pressure are in combination with ISO-VG46 at 40°C. The rates vary depending on viscosity and temperature.

## Motor spec

Power (W)	Pole (P)	Rating	Voltage (V)	Frequency (Hz)	Revolutions (min <sup>-1</sup> )	Current (A)	Approx. weight (kg)
75	4	Continuous	100	50/60	1430/1730	2.0/1.6	5.9
200	4	Continuous	100	50/60	1430/1720	5.8/5.0	10

- Single-phase induction motor
- Insulation class E
- IP22